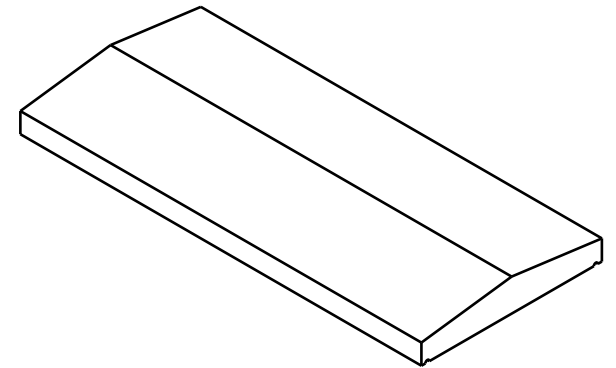
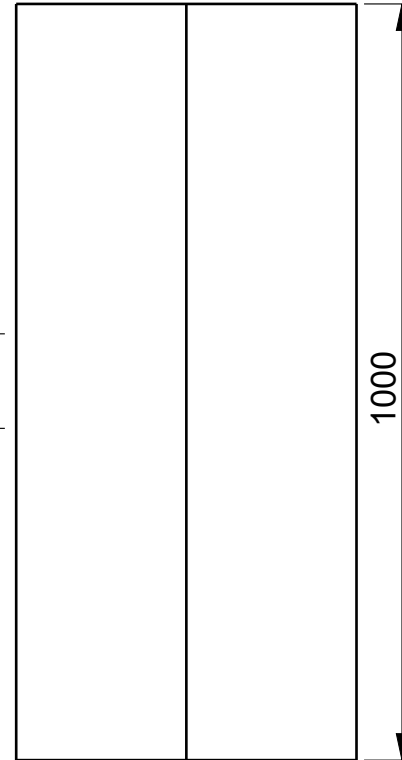
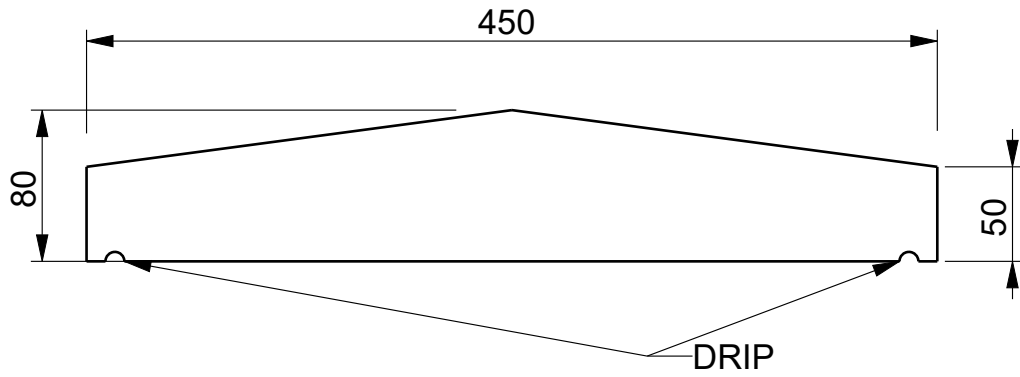


SECTION VIEW
C026



MODEL NAME

C026

DESCRIPTION

Wall Coping Pitched