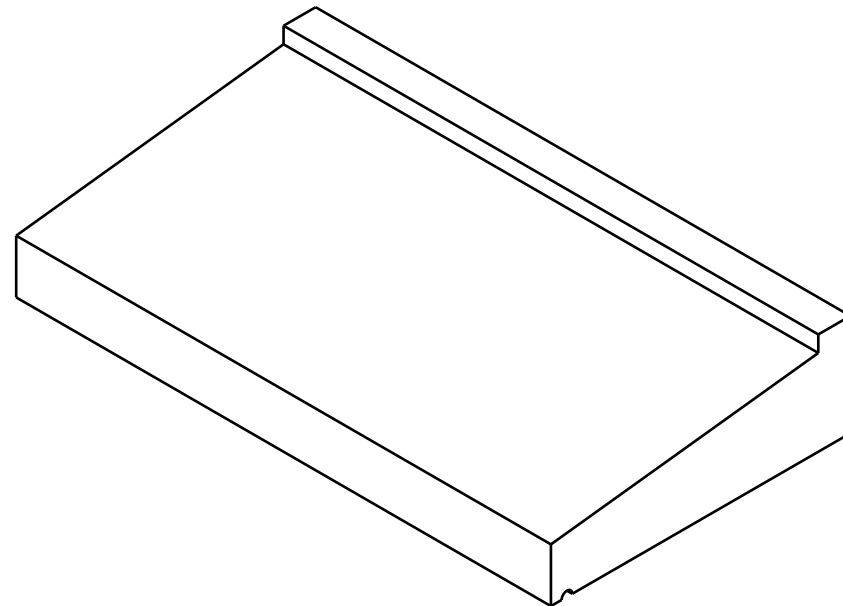
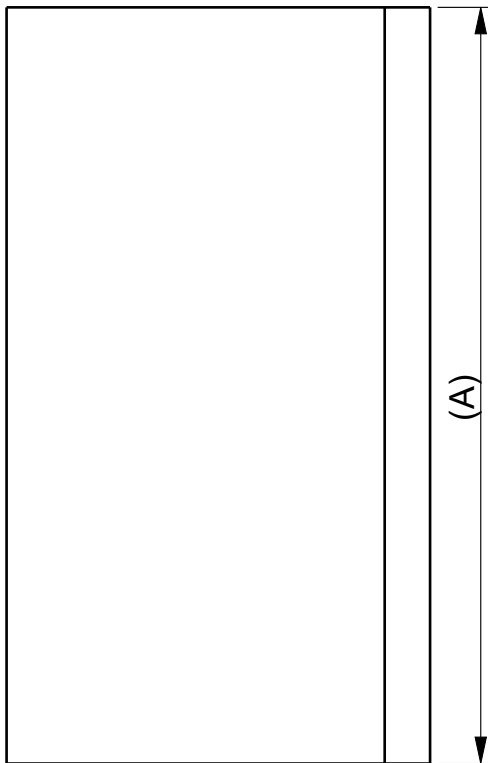
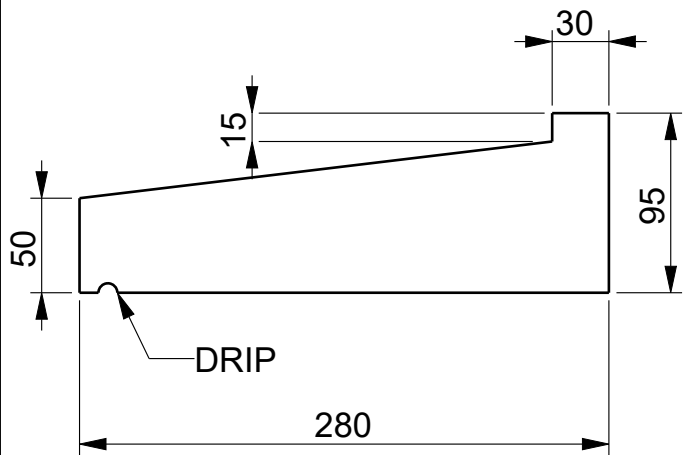


SECTION VIEW  
W016



|                       |
|-----------------------|
| 1200                  |
| Available Lengths (A) |

|             |            |
|-------------|------------|
| MODEL NAME  | W016       |
| DESCRIPTION | WINDOWSILL |