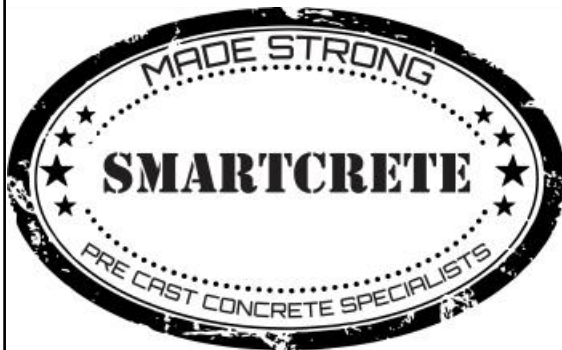
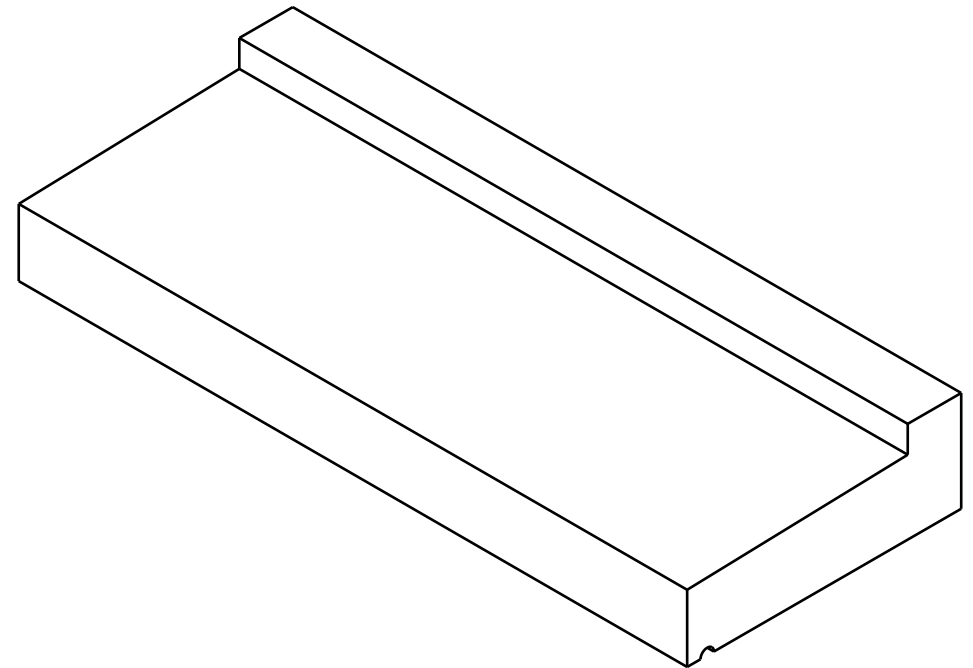
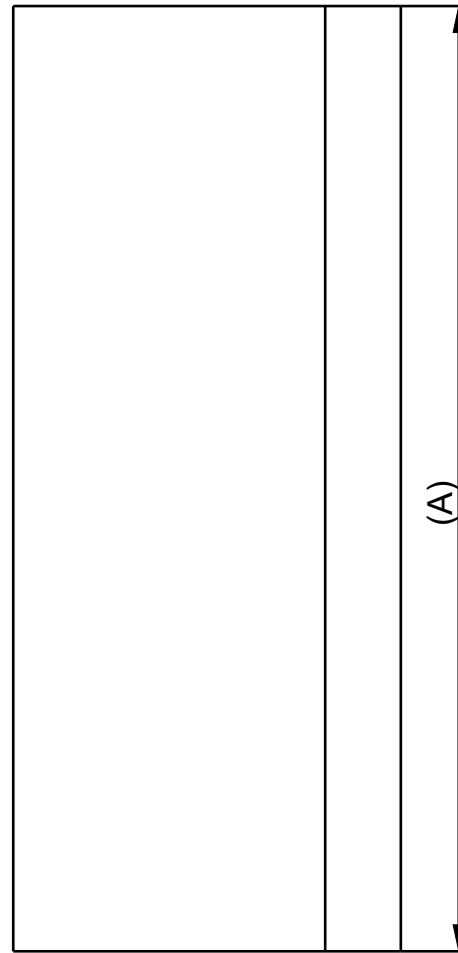
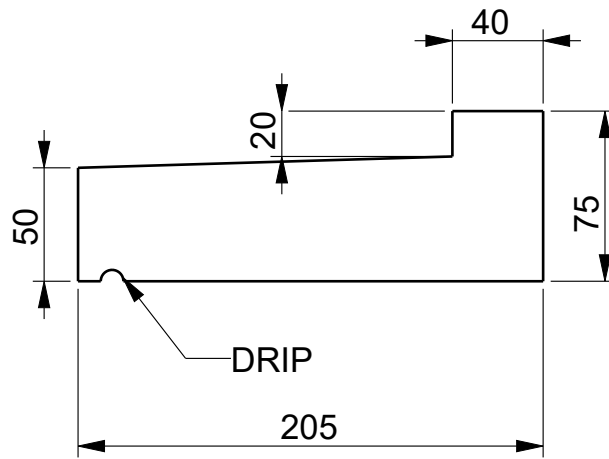


SECTION VIEW  
W013



910
Available Lengths (A)

MODEL NAME	W013
DESCRIPTION	WINDOWSILL