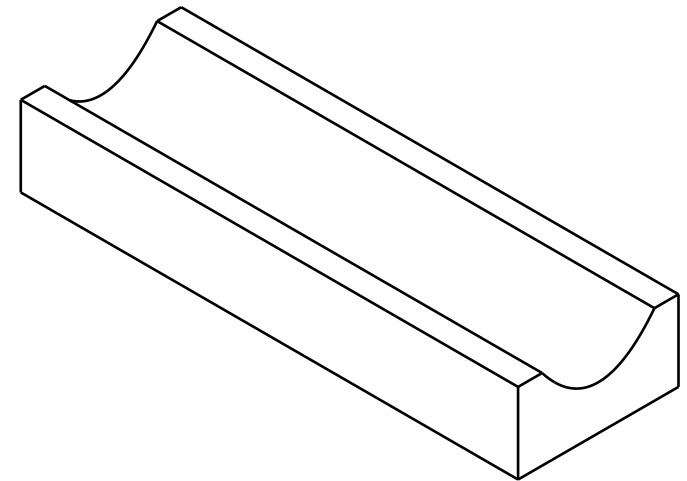
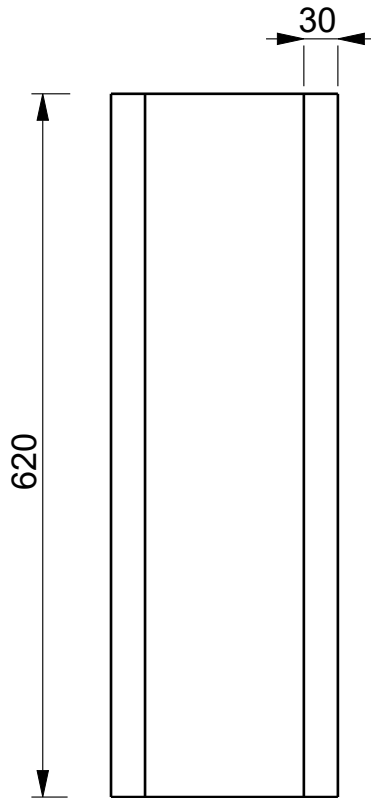
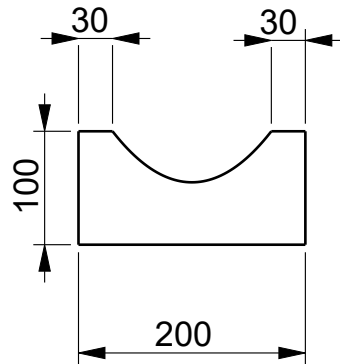


Section VIEW
C074



MODEL NAME

C074

DESCRIPTION

Water Channels